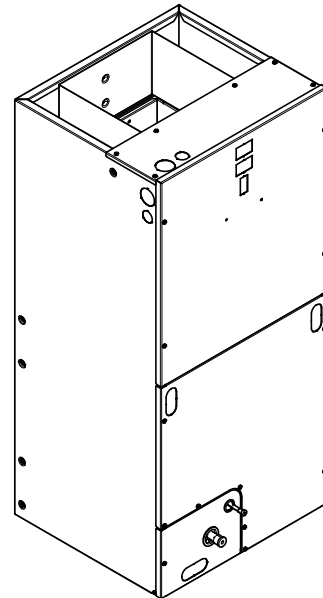




Product Data

Convertible Air Handlers 1-1/2 – 5 Ton

TEM4A0B18S21SA
TEM4A0B24S21SA
TEM4A0B30S31SA
TEM4A0C36S41SA
TEM4A0C42S41SA
TEM4A0C48S41SA
TEM4A0C60S51SA



The TEM4 series air handler is designed for installation in a closet, utility room, alcove, basement, crawlspace or attic. These versatile units are applicable to air conditioning and heat pump applications. Several models are available to meet the specific requirements of the outdoor equipment. Field installed electric resistance heaters are available.



Table of Contents

Features and Benefits.....	3
Optional Equipment.....	3
Product Specifications.....	4
Heater Pressure Drop Table TEM Air Handler Models.....	6
Minimum Airflow CFM.....	7
Air Handler and Heater Matrix Allowable Combinations.....	8
Performance and Electrical Data.....	9
Electrical Data.....	15
Field Wiring.....	16
TEM Convertibility.....	17
TEM4 Air Handler Dimensional Data.....	18
Outline Drawing.....	19



Features and Benefits

- Painted metal cabinet with captured foil face insulation
- 2% or less air leakage
- R-4.2 Insulating Value
- Multi-Position UP/Down Flow, Horizontal Left /Right
- ALL Aluminum Coil with Enhanced Patented Coil Fin
- Electric Heaters with polarized plug connections (sold as accessory)
- R-410A Thermal Expansion Valve
- ECM Motor **(3.5 – 5 Ton Models)**
- Low Voltage Pigtail Connections
- Draw Through Design
- Horizontal Drain pan
- Single Color
- Fused 24V Power
- **1 year warranty**
- **10-year warranty registered**
- **Optional extended warranty available**

Important: Condensate management kit is required for all 5 ton air handler models installed in downflow applications.

Optional Equipment

Accessory Number	Description	Fits Cabinet Size
BAYHTR1504BRK	Electric Heater, 4KW, Breaker, 24V Control, 1 Ph	18.5" and 23.5"
BAYHTR1504PDC	Electric Heater, 4KW, Pull Disconnect, 24V Control, 1 Ph	18.5" and 23.5"
BAYHTR1504LUG	Electric Heater, 4KW, Lug, 24V Control, 1 Ph	18.5" and 23.5"
BAYHTR1505BRK	Electric Heater, 5KW, Breaker, 24V Control, 1 Ph	18.5" and 23.5"
BAYHTR1505PDC	Electric Heater, 5KW, Pull Disconnect, 24V Control, 1 Ph	18.5" and 23.5"
BAYHTR1505LUG	Electric Heater, 5KW, Lug, 24V Control, 1 Ph	18.5" and 23.5"
BAYHTR1508BRK	Electric Heater, 8KW, Breaker, 24V Control, 1 Ph	18.5" and 23.5"
BAYHTR1508PDC	Electric Heater, 8KW, Pull Disconnect, 24V Control, 1 Ph	18.5" and 23.5"
BAYHTR1508LUG	Electric Heater, 8KW, Lug, 24V Control, 1 Ph	18.5" and 23.5"
BAYHTR1510BRK	Electric Heater, 10KW, Breaker, 24V Control, 1 Ph	18.5" and 23.5"
BAYHTR1510PDC	Electric Heater, 10KW, Pull Disconnect, 24V Control, 1 Ph	18.5" and 23.5"
BAYHTR1510LUG	Electric Heater, 10KW, Lug, 24V Control, 1 Ph	18.5" and 23.5"
BAYHTR3510LUG	Electric Heater, 10KW, Lug, 24V Control, 3 Ph	18.5" and 23.5"
BAYHTR1515BRK	Electric Heater, 15KW, Breaker, 24V Control, 1 Ph	18.5" and 23.5"
BAYHTR3515LUG	Electric Heater, 15KW, Lug, 24V Control, 3 Ph	18.5" and 23.5"
BAYHTR1519BRK	Electric Heater, 20KW, Breaker, 24V Control, 1 Ph	18.5"
BAYHTR1520BRK	Electric Heater, 20KW, Breaker, 24V Control, 1 Ph	23.5"
BAYHTR1521BRK	Electric Heater, 20KW, Breaker, 24V Control, 1 Ph	23.5"
BAYTEMSPFG1A	Supply Duct Flange Kit	18.5" and 23.5"
BAYSPEKT201A	Single Point Power Entry Kit	18.5" and 23.5"
BAYTEMDFKT1A ^(a)	Downflow Condensate Management Kit	23.5" (5 Ton only)
TAYBASE185	Air Handler Downflow Sub-Bases	18.5"
TAYBASE235 (TAYBASE 100)	Air Handler Downflow Sub-Bases	23.5"
BAYSF1185AAA	Slim Fit Filter Box	18.5"
BAYSF1235AAA	Slim Fit Filter Box	23.5"

^(a) Required with all 5-ton air handler models in downflow orientation.



Product Specifications

MODEL	TEM4A0B18S21SA	TEM4A0B24S21SA	TEM4A0B30S31SA	TEM4A0C36S41SA
RATED VOLTS/PH/HZ	208-230/1/60	208-230/1/60	208-230/1/60	208-230/1/60
RATINGS^(a)	See O.D. Specifications	See O.D. Specifications	See O.D. Specifications	See O.D. Specifications
INDOOR COIL — Type	Plate Fin	Plate Fin	Plate Fin	Plate Fin
Rows — F.P.I.	3 - 14	3 - 14	3 - 14	3 - 14
Face Area (sq. ft.)	4.37	4.37	4.37	5.50
Tube Size (in.)	3/8	3/8	3/8	3/8
Refrigerant Control	TXV	TXV	TXV	TXV
Drain Conn. Size (in.) ^(b)	3/4 NPT	3/4 NPT	3/4 NPT	3/4 NPT
DUCT CONNECTIONS	See Outline Drawing	See Outline Drawing	See Outline Drawing	See Outline Drawing
INDOOR FAN — Type	Centrifugal	Centrifugal	Centrifugal	Centrifugal
Diameter-Width (In.)	9 X 7	9 X 7	10 X 8	10 X 10
No. Used	1	1	1	1
Drive - No. Speeds	Direct - 3	Direct - 3	Direct - 3	Direct - 3
CFM vs. in. w.g.	See Fan Performance Table	See Fan Performance Table	See Fan Performance Table	See Fan Performance Table
No. Motors — H.P.	1 - 1/4	1 - 1/4	1 - 1/2	1 - 1/2
Motor Speed R.P.M.	1075	1075	1075	1075
Volts/Ph/Hz	208-230/1/60	208-230/1/60	208-230/1/60	208-230/1/60
F.L. Amps	1.3	1.3	2.5	2.6
FILTER				
Filter Furnished? ^(c)	No	No	No	No
REFRIGERANT	R-410A	R-410A	R-410A	R-410A
Ref. Line Connections	Brazed	Brazed	Brazed	Brazed
Coupling or Conn. Size — in. Gas	3/4	3/4	3/4	7/8
Coupling or Conn. Size — in. Liq.	3/8	3/8	3/8	3/8
DIMENSIONS	H x W x D	H x W x D	H x W x D	H x W x D
Crated (In.)	46 x 21 x 24	46 x 21 x 24	46 x 21 x 24	52-1/2 x 26 x 24
Uncrated	45-1/8 x 18-1/2 x 21-1/8	45-1/8 x 18-1/2 x 21-1/8	45-1/8 x 18-1/2 x 21-1/8	51-3/8 x 23-1/2 x 21-1/8
WEIGHT				
Shipping (Lbs.) / Net (Lbs.)	116/110	116/110	116/110	145/138

^(a) These Air Handlers are A.H.R.I certified with various Split System Air Conditioners and Heat Pumps (AHRI STANDARD 210/240). Refer to the Split System Outdoor Unit Product Data Guides for performance data.

^(b) 3/4" Male Plastic Pipe (Ref: ASTM 1785-76)

^(c) Remote filter required.

Product Specifications

MODEL	TEM4A0C42S41SA	TEM4A0C48S41SA	TEM4A0C60S51SA
RATED VOLTS/PH/HZ	208-230/1/60	208-230/1/60	208-230/1/60
RATINGS^(a)	See O.D. Specifications	See O.D. Specifications	See O.D. Specifications
INDOOR COIL — Type	Plate Fin	Plate Fin	Plate Fin
Rows — F.P.I.	3 - 14	3 - 14	4 - 14
Face Area (sq. ft.)	5.50	5.50	5.91
Tube Size (in.)	3/8	3/8	3/8
Refrigerant Control	TXV	TXV	TXV
Drain Conn. Size (in.) ^(b)	3/4 NPT	3/4 NPT	3/4 NPT
DUCT CONNECTIONS	See Outline Drawing	See Outline Drawing	See Outline Drawing
INDOOR FAN — Type	Centrifugal	Centrifugal	Centrifugal
Diameter-Width (In.)	10 X 10	10 X 10	11 X 10
No. Used	1	1	1
Drive - No. Speeds	Direct - 3 ^(c)	Direct - 3 ^(c)	Direct - 3 ^(c)
CFM vs. in. w.g.	See Fan Performance Table	See Fan Performance Table	See Fan Performance Table
No. Motors — H.P.	1 - 1/2	1 - 3/4	1 - 3/4
Motor Speed R.P.M.	1050	1050	1050
Volts/Ph/Hz	208-230/1/60	208-230/1/60	208-230/1/60
F.L. Amps	4.1	6.3	6.3
FILTER			
Filter Furnished? ^(d)	No	No	No
REFRIGERANT	R-410A	R-410A	R-410A
Ref. Line Connections	Brazed	Brazed	Brazed
Coupling or Conn. Size — in. Gas	7/8	7/8	7/8
Coupling or Conn. Size — in. Liq.	3/8	3/8	3/8
DIMENSIONS	H x W x D	H x W x D	H x W x D
Crated (In.)	52-1/2 x 26 x 24	52-1/2 x 26 x 24	52-1/2 x 26 x 24
Uncrated	51-3/8 x 23-1/2 x 21-1/8	51-3/8 x 23-1/2 x 21-1/8	51-3/8 x 23-1/2 x 21-1/8
WEIGHT			
Shipping (Lbs.) / Net (Lbs.)	145/138	145/138	145/138

^(a) These Air Handlers are A.H.R.I certified with various Split System Air Conditioners and Heat Pumps (AHRI STANDARD 210/240). Refer to the Split System Outdoor Unit Product Data Guides for performance data.

^(b) 3/4" Male Plastic Pipe (Ref: ASTM 1785-76)

^(c) ECM Motor

^(d) Remote filter required.



Heater Pressure Drop Table TEM Air Handler Models

Airflow CFM	Number of Racks				Heater Racks	
	1	2	3	4	Heater Model	No. of Racks
	Air Pressure Drop — Inches W.G.					
1800	0.02	0.04	0.06	0.14	BAYHTR1504	1
1700	0.02	0.04	0.06	0.14	BAYHTR1505	1
1600	0.02	0.04	0.06	0.13	BAYHTR1508	2
1500	0.02	0.04	0.06	0.12	BAYHTR1510	2
1400	0.02	0.04	0.06	0.12	BAYHTR3510	3
1300	0.02	0.04	0.05	0.11	BAYHTR1515	3
1200	0.01	0.04	0.05	0.10	BAYHTR3515	3
1100	0.01	0.03	0.05	0.09	BAYHTR1519	4
1000	0.01	0.03	0.04	0.09	BAYHTR1520	4
900	0.01	0.03	0.04	0.08	BAYHTR1521	4
800	0.01	0.03				
700	0.01	0.02				
600	0.01	0.02				



Minimum Airflow CFM

TEM4A0B18S21SA, TEM4A0B24S21SA		
Heater	Minimum Heat Speed Tap	
	With Heat Pump	Without Heat Pump
BAYHTR1504BRK, BAYHTR1504PDC, BAYHTR1504LUG, BAYHTR1505BRK, BAYHTR1505PDC, BAYHTR1505LUG	Low	Low
BAYHTR1508BRK, BAYHTR1508PDC, BAYHTR1508LUG, BAYHTR1510BRK, BAYHTR1510PDC, BAYHTR1510LUG, BAYHTR3510LUG	Low	Low

TEM4A0B30S31SA		
Heater	Minimum Heat Speed Tap	
	With Heat Pump	Without Heat Pump
BAYHTR1504BRK, BAYHTR1504PDC, BAYHTR1504LUG, BAYHTR1505BRK, BAYHTR1505PDC, BAYHTR1505LUG	Low	Low
BAYHTR1508BRK, BAYHTR1508PDC, BAYHTR1508LUG, BAYHTR1510BRK, BAYHTR1510PDC, BAYHTR1510LUG, BAYHTR3510LUG	Low	Low
BAYHTR1515BRK, BAYHTR3515LUG, BAYHTR1519BRK	Low	Low

TEM4A0C36S41SA		
Heater	Minimum Heat Speed Tap	
	With Heat Pump	Without Heat Pump
BAYHTR1504BRK, BAYHTR1504PDC, BAYHTR1504LUG, BAYHTR1505BRK, BAYHTR1505PDC, BAYHTR1505LUG	Low	Low
BAYHTR1508BRK, BAYHTR1508PDC, BAYHTR1508LUG, BAYHTR1510BRK, BAYHTR1510PDC, BAYHTR1510LUG, BAYHTR3510LUG	Low	Low
BAYHTR1515BRK, BAYHTR3515LUG, BAYHTR1520BRK	Low	Low

TEM4A0C42S41SA		
Heater	Minimum Heat Speed Tap	
	With Heat Pump	Without Heat Pump
BAYHTR1504BRK, BAYHTR1504PDC, BAYHTR1504LUG, BAYHTR1505BRK, BAYHTR1505PDC, BAYHTR1505LUG	Low	Low
BAYHTR1508BRK, BAYHTR1508PDC, BAYHTR1508LUG, BAYHTR1510BRK, BAYHTR1510PDC, BAYHTR1510LUG, BAYHTR3510LUG	Low	Low
BAYHTR1515BRK, BAYHTR3515LUG, BAYHTR1520BRK	Low	Low

TEM4A0C48S41SA		
Heater	Minimum Heat Speed Tap	
	With Heat Pump	Without Heat Pump
BAYHTR1504BRK, BAYHTR1504PDC, BAYHTR1504LUG, BAYHTR1505BRK, BAYHTR1505PDC, BAYHTR1505LUG	Low	Low
BAYHTR1508BRK, BAYHTR1508PDC, BAYHTR1508LUG, BAYHTR1510BRK, BAYHTR1510PDC, BAYHTR1510LUG, BAYHTR3510LUG	Low	Low
BAYHTR1515BRK, BAYHTR3515LUG, BAYHTR1521BRK	Low	Low

TEM4A0C60S51SA		
Heater	Minimum Heat Speed Tap	
	With Heat Pump	Without Heat Pump
BAYHTR1504BRK, BAYHTR1504PDC, BAYHTR1504LUG, BAYHTR1505BRK, BAYHTR1505PDC, BAYHTR1505LUG	Low	Low
BAYHTR1508BRK, BAYHTR1508PDC, BAYHTR1508LUG, BAYHTR1510BRK, BAYHTR1510PDC, BAYHTR1510LUG, BAYHTR3510LUG	Low	Low
BAYHTR1515BRK, BAYHTR3515LUG, BAYHTR1520BRK	Low	Low
Low = Taps 1-3		



Minimum Airflow CFM

**Air Handler and Heater Matrix
Allowable Combinations**

TEM4 MINIMUM HEATER AIRFLOW CFM — HEATER MATRIX						
Model No.	BAYHTR1504BRK * BAYHTR1504PDC * BAYHTR1504LUG* BAYHTR1505BRK * BAYHTR1505PDC * BAYHTR1505LUG *	BAYHTR1508BRK * BAYHTR1508PDC * BAYHTR1508LUG * BAYHTR1510BRK * BAYHTR1510PDC * BAYHTR1510LUG * BAYHTR3510LUG *	BAYHTR1515BRK * BAYHTR3515LUG *	BAYHTR1519BRK *	BAYHTR1520BRK *	BAYHTR1521BRK *
TEM4A0B18S21S *	L / L	L / L	--	--	--	--
TEM4A0B24S21S *	L / L	L / L	--	--	--	--
TEM4A0B30S31S *	L / L	L / L	L / L	L / L	--	--
TEM4A0C36S41S * (a)	L / L	L / L	L / L	--	L / L	--
TEM4A0C42S41S * (a)	L / L	L / L	L / L	--	L / L	--
TEM4A0C48S41S * (a)	L / L	L / L	L / L	--	--	L / L
TEM4A0C60S51S * (a)	L / L	L / L	L / L	--	L / L	--
1. Cooling / HP Airflow 2. * = Followed by two digits						

(a) Taps 1-3 = Low, Tap 4 = Med, Tap 5 = High



Performance and Electrical Data

Table 1. Air Flow Performance

TEM4A0B18S21SA, TEM4A0B24S21SA ^(a)						
EXTERNAL STATIC (in w.g)	AIRFLOW					
	Speed Taps — 230 VOLTS			Speed Taps — 208 VOLTS		
	High	Med	Low †	High	Med	Low †
0.1	984	903	719	946	827	612
0.2	948	868	694	910	796	589
0.3	906	828	665	868	760	567
0.4	858	781	630	820	717	543
0.5	802	726	588	764	666	513
0.6	735	660	537	697	605	
0.7	651	581		614	532	

1. Values are with wet coil, no filter, and no heaters
 2. CFM Correction for dry coil = Add 3%
 3. † = Factory setting

^(a) For the TEM4A0B24S21SA, the recommended speed tap is medium at 0.4" external static pressure.

Table 2. Electrical Data

TEM4A0B18S21SA, TEM4A0B24S21SA											
Heater Model No.	No. of Circuits/ Phases	240 Volt					208 Volt				
		Capacity		Heater Amps per Circuit	Minimum Circuit Ampacity	Maximum Overload Protection	Capacity		Heater Amps per Circuit	Minimum Circuit Ampacity	Maximum Overload Protection
		kW	BTUH				kW	BTUH			
No Heater				1.3 *	2	15			1.3 *	2	15
BAYHTR1504BRK BAYHTR1504PDC BAYHTR1504LUG	1/1	3.84	13100	16.0	22	25	2.88	9800	13.8	19	20
BAYHTR1505BRK BAYHTR1505PDC BAYHTR1505LUG	1/1	4.80	16400	20.0	27	30	3.60	12300	17.3	23	25
BAYHTR1508BRK BAYHTR1508PDC BAYHTR1508LUG	1/1	7.68	26200	32.0	42	45	5.76	19700	27.7	36	40
BAYHTR1510BRK BAYHTR1510PDC BAYHTR1510LUG	1/1	9.60	32800	40.0	52	60	7.20	24600	34.6	45	45
BAYHTR3510LUG	1/3	9.60	32800	23.1	30	30	7.20	24600	20.0	26	30

* = Motor Amps